

**SUMMARY OF REQUIREMENTS FOR
RESIDENTIAL SANITARY SEWER CONNECTIONS**

PREPARED

FOR

THE UPPER SAUCON TOWNSHIP MUNICIPAL AUTHORITY

June 2017

PREPARED BY



**SCHREITER ENGINEERING ASSOCIATES, Inc.
7 RALEIGH DRIVE
DOWNTOWN, PA 19335**

**Procedures for Application for Connection to Sanitary Sewers
For
Upper Saucon Township**

Revised as of June 5, 2017

The following procedures must be followed in order to obtain a Sanitary Sewer Service User Permit for the connection of any property to the Upper Saucon Township Municipal Authority (USTMA) sanitary sewer system:

1. The Applicant must obtain all necessary approvals prior to filing an application for connection to the USTMA sanitary sewer system. These approvals may include, but are not limited to, the following:
 - All UST Land Development Planning Commission's Approvals
 - Erosion and Sedimentation Control NPDES Permits or related approvals
 - PennDOT permits associated with any construction activity that occurs within PennDOT rights of way.
 - UST Building Permit

The Applicant must attach copies of all approvals and/or permits that were obtained with the application for the User Permit.

2. The Applicant must provide all information as required on the application for the User Permit form including names, addresses, and telephone numbers for both the Applicant and the Contractor providing the installation services.
3. The Contractor providing the installation services must conform to the requirements set for in the current revision of Upper Saucon Township's (UST's) "*Standard Sewer Specifications*"
4. When requested by the Director, the application for the User Permit must include a sketch detailing the location of the proposed sewer pipe to be installed. The sketch must include proposed service elevations. The sketch or drawing must be referenced on the application form.
5. The Applicant or the Applicant's Contractor must comply with the requirements set forth in PA Act 38 (PA One Call). The Applicant must provide documentation on the application form that this notification was completed. The documentation must include the serial number of the call and the date and time when it was placed.

6. The Applicant must follow USTMA's "*Procedures for Acceptance of Sanitary Sewers*" regarding those sewer segments to be dedicated to the USTMA. The Applicant must contact the USTMA at the Upper Saucon Township Water and Sewer Building, located at 4774 Saucon Creek Road, Center Valley, PA (610-694-8680 ext. 1257) to obtain necessary forms and written procedures.
7. If the connection includes an extension of the sanitary sewer system that will be dedicated to the USTMA, the Applicant must complete the following:
 - Contact USTMA and UST Engineers to arrange for a pre-construction meeting
 - Contact UST Engineer to arrange for inspection of the sanitary sewer installation. Installation of extensions of the sanitary sewer system requires full time inspection of the portion of the work associated with the sewer extension.
 - Submit required material submittals to the USTMA for review and approval as required in UST's "*Standard Sewer Specifications*"
8. If the connection is to be made to an existing sanitary sewer line, the connection must be made in conformance with the UST's "*Standard Sewer Specifications*". The Applicant must contact the UST Water/Sewer Resources Department to arrange for the sewer connection saddle to be installed by Township staff. Such notification must be given at least forty eight (48) hours prior to the time requested for installation. The Applicant's Contractor prior to the Township installing any saddle connection must have the site properly prepared for access by Township staff.
9. All sanitary sewers, whether connecting to existing sanitary sewer line or extending sanitary sewer system, must be tested as required in the UST's "*Standard Sewer Specifications*" and UST Ordinance No. 91-A.
10. The Applicant must request an inspection by the Sewer Inspector (Mr. Robert Blanchfield of Building Inspection Services, Inc. at 610-438-3905) and the Township Building Inspector (Keycodes at 610-866-9663) for the sewer piping between the building and the sanitary sewer system. Such notification must be given at least forty eight (48) hours prior to the time requested for inspection. No work shall be covered prior the inspection. Covering of work will be a reason for rejection of any work performed by or on behalf of the Applicant.
11. If the property to be connected has an existing on-site system, the Applicant must abandon the existing on-site system in accordance with the requirements set forth in UST Ordinance No. 78. The Applicant must obtain separate "*Application/Permit for Abandonment of On-lot Sewage Disposal Systems*" at the Township and submit it to the Township Sewage Enforcement Officer (Hanover Engineering at 610-691-5644). All existing sewage fields, beds, or elevated sand mounds must be abandoned following current Township or PADEP guidance.

-Technical Requirements for Connection to Sanitary Sewers Upper Saucon Township

As Revised June 5, 2017

1.0 Material Requirements

The following is an abbreviated summary of the material specifications for lateral connections:

Lateral Sewer Pipe:

- All sewer pipe used for the lateral between the sewer main and the building will be PVC SDR-26 with gasketed joints following either Drawing DX-1 or DX-2. **No glued joints will be accepted.**
- The vent-trap and clean-out assembly located at the building next to the building foundation at the foundation wall can be PVC SDR-26 with gasketed joints or PVC Schedule 40 with glued joints. If glued joints are used for this assembly, a proper transition gasket must be used to connect to the gasketed PVC SDR-26 lateral piping.
- All sewer lateral piping between the sewer main and the curb line shall be 6-inch diameter pipe.
- Single residential units can use 4-inch diameter pipe between the curb line and building. All other users must use 6-inch diameter piping for all lateral piping.
- Where a deep lateral connection to a sewer main is required, they shall be installed as shown on either drawing DX-3 or DX-15.
- Bends in sewer laterals cannot exceed 45 degrees.
- All lateral piping must have a minimum of 4 feet of cover material.

Pipe Bedding Material:

- All bedding stone used on lateral piping will be #1B type stone and installed following bedding requirements shown on Drawing D-2. No slag will be acceptable.
- Where required, clay dikes will be installed every 20 feet as shown on Drawing D-5.

Curbline and Intermediate Cleanouts

- A cleanout will be installed at the street right of way inside of the property line, every 100' ft., and/or at a change of direction. All intermediate cleanouts will be installed following drawing DX-6.
- All cleanouts except the one at the foundation will have a metal cleanout box assembly **at ground level** with the lids marked (SEWER) as shown on Drawing DX16.

Grinder Pump Installations

- The grinder pumps to be used for single residential units shall be a Model DH071 or DR071 as manufactured by Environment One Corporation. The grinder pump unit shall include the pump unit, check valve, and tank. The unit shall also include necessary controls mounted in a corrosion proof NEMA 3X enclosure. The control panel shall have an audible alarm with silence and red alarm light. The control panel shall be manufactured by Environment One Corporation.
- Installation of the grinder pump and the associated force main to the lateral service connection at the curb line will be the responsibility of the developer or homeowner.
- All grinder pump assemblies must be located on the exterior of any structure. Use of grinder pump units located within a building structure is prohibited.
- All pressure sewer pipe used for the lateral between the sewer main and the grinder unit shall be HDPE pipe following Drawing DX-8.
- The lateral connection shall be a check valve and curb stop assembly provided by Environmental One. The valve box for this valve assembly may be either plastic or metal construction.
- If the pressure sewer is to be connected to a gravity sewer, the connection shall be as shown on drawing DX-14.

2.0 Inspection Requirements

Before calling for an inspection refer to the list below to ensure that proper procedure have been followed:

1. Trench is dug to provide a minimum of 4 feet of cover material and lined with a minimum of 4" inches of #1B stone.
2. Laterals shall have the following minimum and maximum slopes:

Pipe Size	Minimum Slope	Maximum Slope
4	2.00%	15.00%
6	1.00%	9.00%

3. Clean-out wyes shall be encased in concrete as shown on DX-6.
4. Only hydrostatic pressure testing of laterals is allowed.
5. Once the line is installed and properly tested, the trench may be covered as specified. A minimum of 1 foot of #1 B stone must encase top of lateral pipe before any other fill can be added.

**Technical Requirements for Connection to Sanitary Sewers
Upper Saucon Township
As Revised June 5, 2017**

Page 3 of 3

6. The intermediate cleanouts must be a proper height to assure top of metal cleanout box will be at grade as shown on drawing DX-6. The cleanout box can be installed at that time. The metal cleanout box shall be placed over the top of the cleanout pipe at grade.
7. After all work is completed, a final inspection must be scheduled. The Applicant must request an inspection by the Sewer Inspector (Mr. Robert Blanchfield of Building Inspection Services, Inc. at 610-438-3905) and the Township Building Inspector (Keycodes at 610-866-9663) for the sewer piping between the building and the sanitary sewer system.



SCHREYER ENGINEERING ASSOCIATES
 Engineers Planners Scientists

7 Raleigh Drive
 Downingtown, PA
 19330-1107

76 (610) 672-0020
 Fax (610) 672-0020
 Email: info@sea.com

UPPER SAUCON TOWNSHIP
 TYPICAL HOUSE CONNECTION

NAME: BASEMENT SERVICE

DATE: 06/01/2014

REVISED: 06/05/2017

REVISED:

DRAWN: GTC

REVISED:

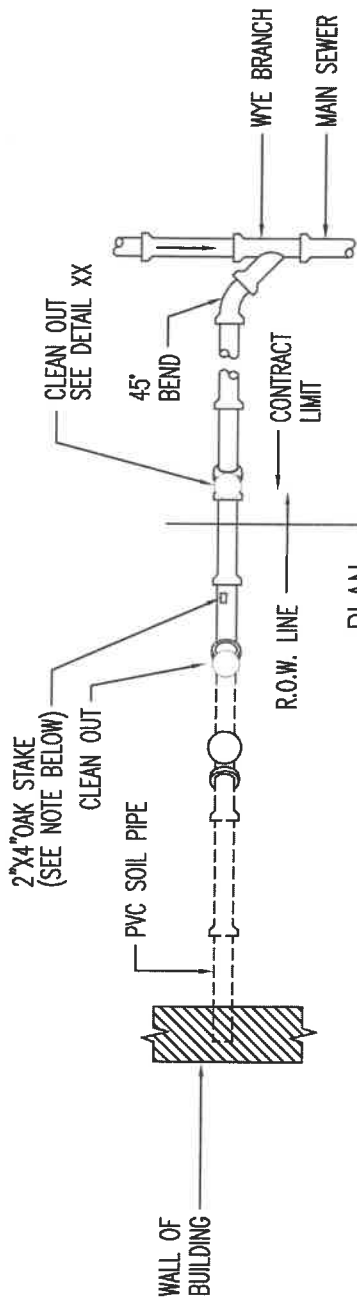
REVISED:

SCALE: N.T.S.

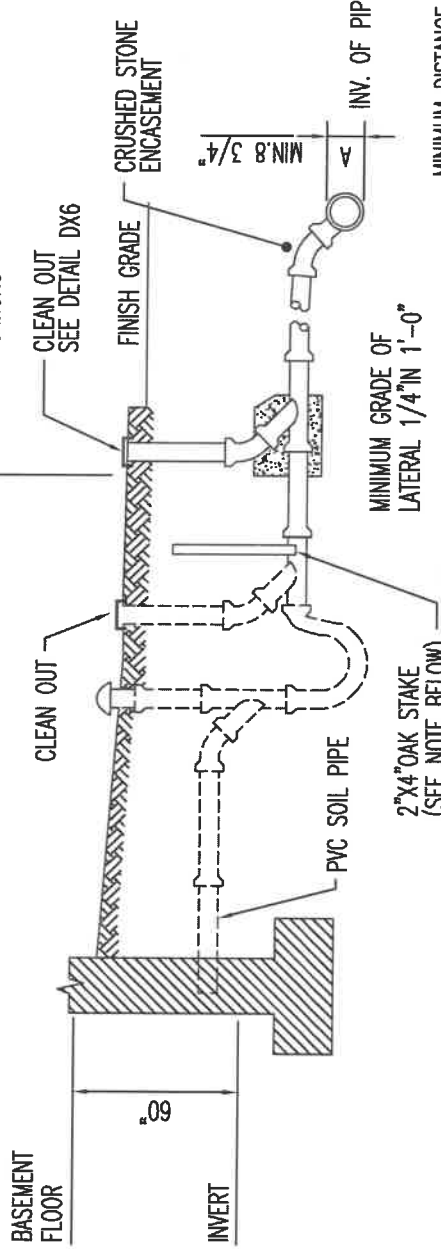
CAD File Name: DX-1

DX-1

No.



SEE LOCAL PLUMBING CODE PURSUANT TO THESE SPECIFICATIONS



MINIMUM DISTANCE "A"

8" SEWER	8 3/4"
10" SEWER	10 1/4"
12" SEWER	12"
15" SEWER	14 3/4"
18" SEWER	17 1/2"

NOTE:

THE CONTRACTOR WILL MARK THE END OF ALL LATERALS WITH A 2x4 OAK STAKE, THE TOP TO REMAIN ±12" ABOVE FINISH GRADE. (NEW CONSTRUCTION ONLY)
 ALL LATERAL PIPING SHALL MEET REQUIREMENTS SET FORTH IN SECTIONS 1010 (INTRODUCTION) AND 2551 (GRAVITY SANITARY SEWERS AND APPURTENANCES).



SCHREITER ENGINEERING ASSOCIATES
 Engineers Planners Scientists

7 Raleigh Drive
 Denville, NJ, PA
 18335-1107

Tel: (610) 675-0820
 Fax: (610) 675-0999
 Email: ksr@seae.com

UPPER SAUCON TOWNSHIP
 TYPICAL HOUSE CONNECTION
 FIRST FLOOR SERVICE

NAME:

DATE: 06/01/2014

REVISED: 06/05/2017

REVISED:

DRAWN: GTC

REVISED:

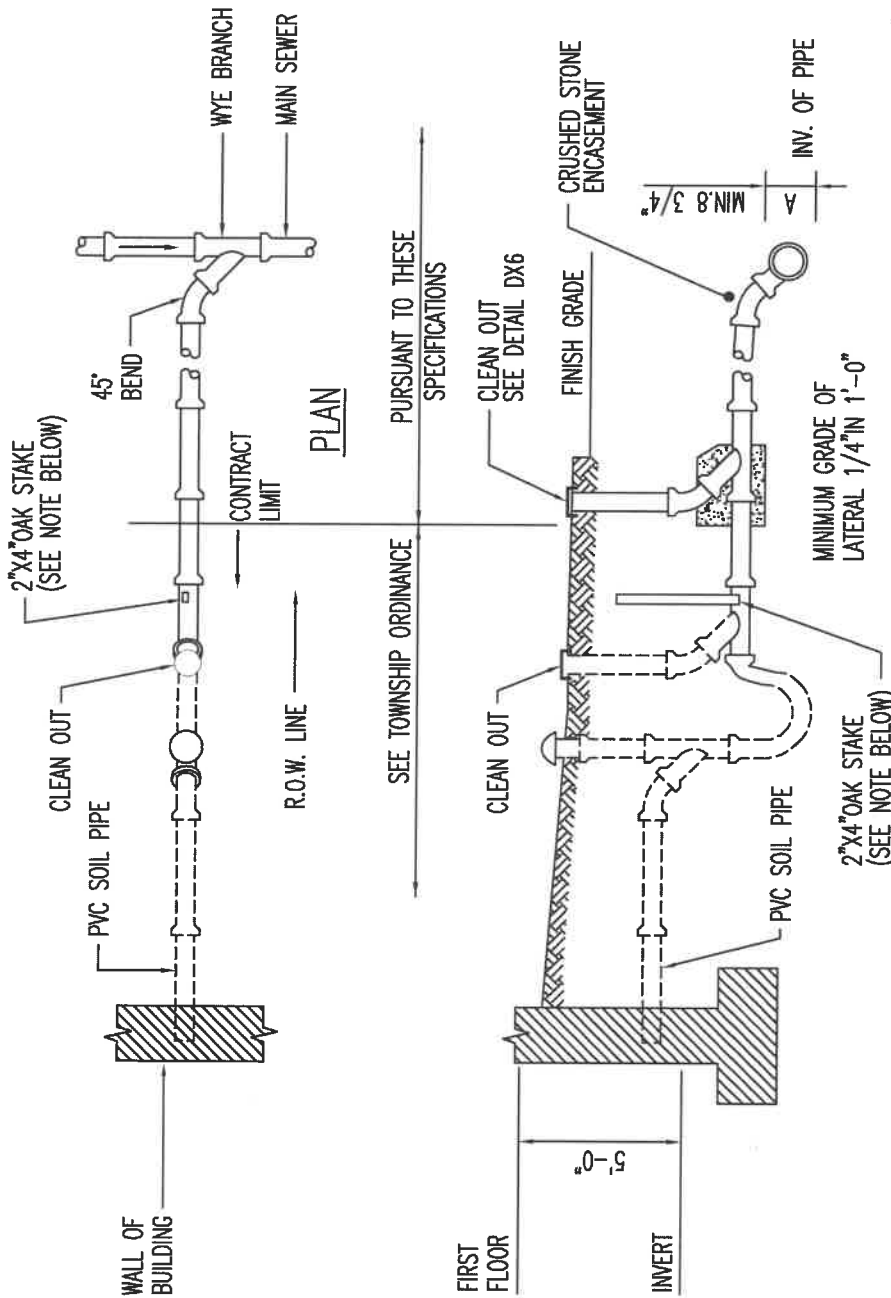
REVISED:

SCALE: N.T.S.

CAD File Name: DX2

No.

DX-2



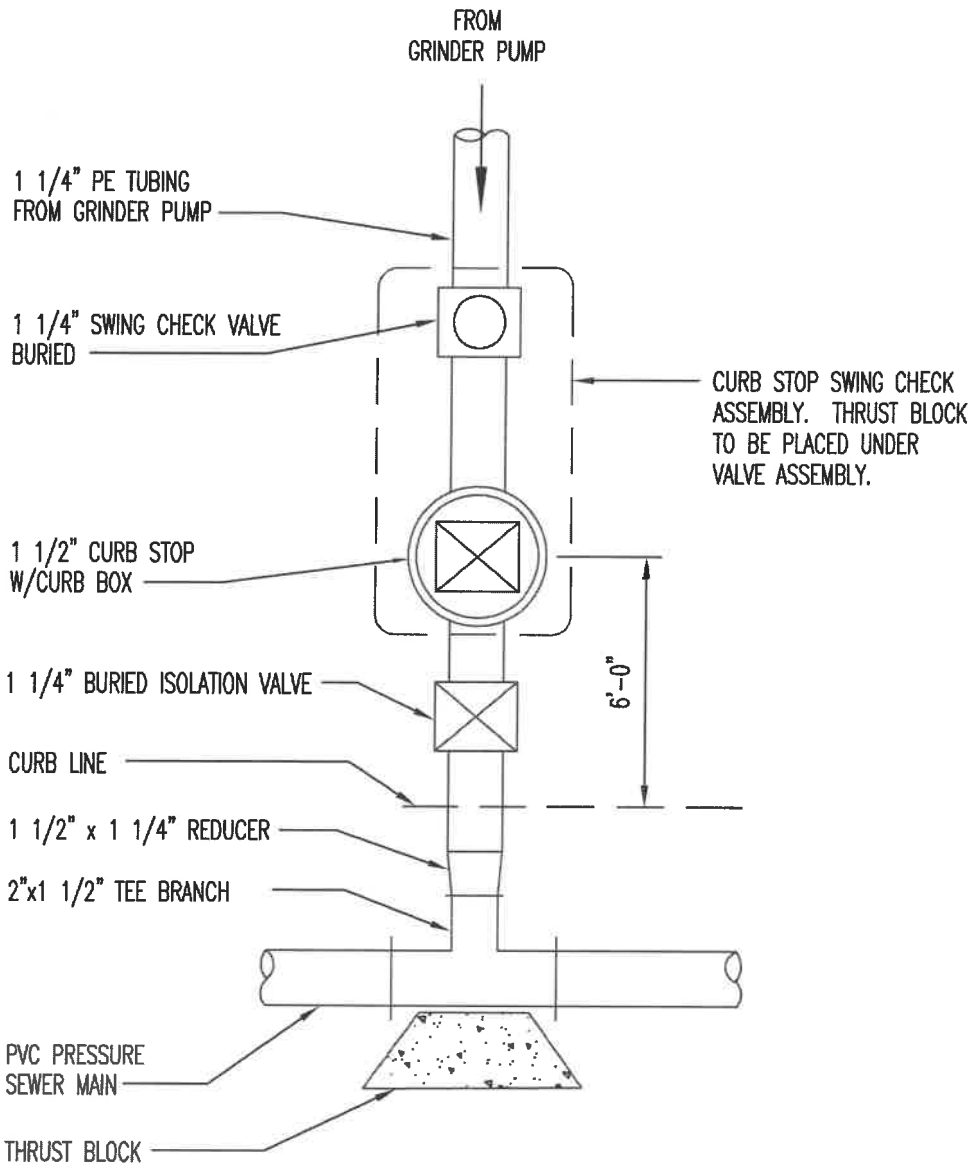
MINIMUM DISTANCE "A"	
8" SEWER	8 3/4"
10" SEWER	10 1/4"
12" SEWER	12"
15" SEWER	14 3/4"
18" SEWER	17 1/2"

ELEVATION

NOTE:

IN NO CASE SHALL INVERT OF HOUSE CONNECTION BE LESS THAN 4' BELOW FINISH GRADE. THE CONTRACTOR WILL MARK THE END OF ALL LATERALS WITH A 2x4 OAK STAKE, THE TOP TO REMAIN ±12" ABOVE FINISH GRADE. (NEW CONSTRUCTION ONLY) ALL LATERAL PIPING SHALL MET THE REQUIREMENTS IN SECTION 2551, GRAVITY SANITARY SEWERS AND APPURTENANCES

Drawing: D013-026.dwg
 11/14/2014 12:44:47 PM
 C:\Users\j...



NOTES

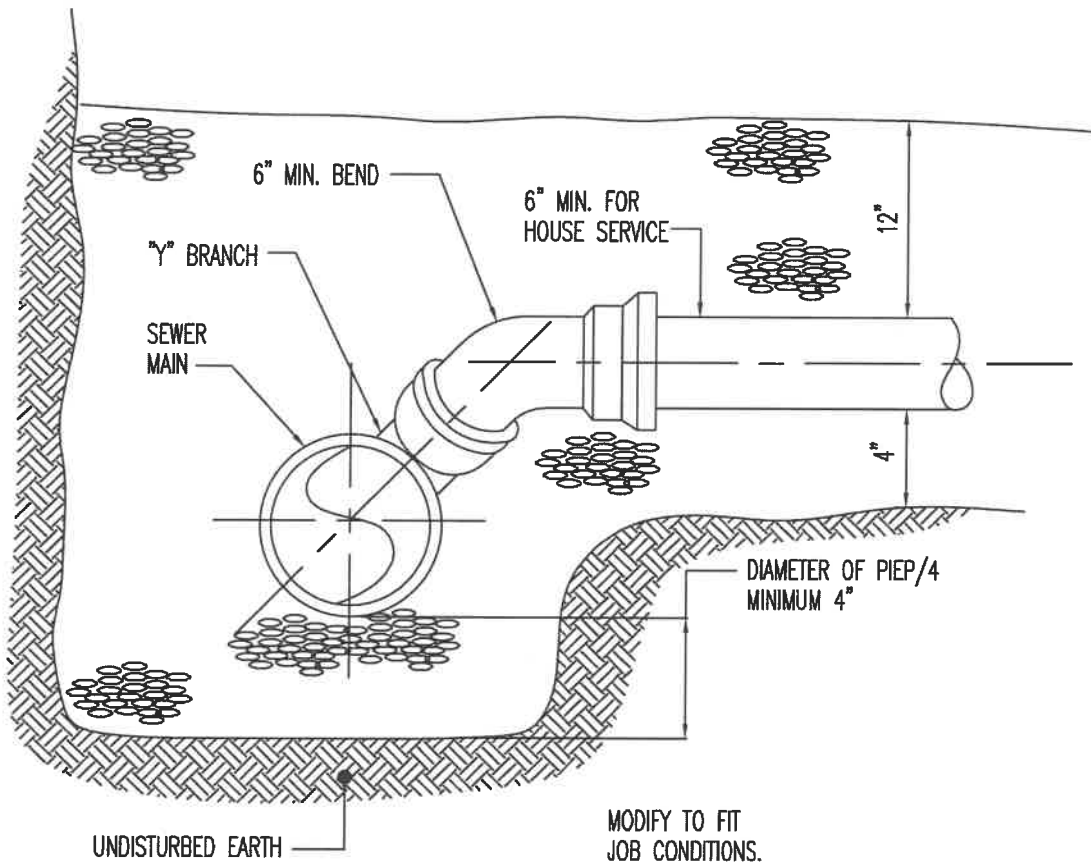
1. ALL PIPING, VALVES AND FITTINGS TO BE INSTALLED IN CRUSHED STONE ENCASUREMENT
2. MINIMUM COVER FOR LATERAL 4'-0"
3. CURB STOP CHECK VALVE ASSEMBLY IS MANUFACTURED BY ENVIRONMENT ONE CORPORATION. CURB STOP MUST INCLUDE VALVE CURB BOX AS OUTLINED IN SECTION 02552 OF SPECIFICATIONS.
4. ISOLATION VALVE ONLY REQUIRED FOR CONNECTIONS TO ISOLATE FUTURE CONNECTION POINT.
5. THRUST BLOCK MUST BE PLACED UNDER CURB STOP CHECK VALVE ASSEMBLY.

SCHRETER ENGINEERING ASSOCIATES
 Engineers Planners Scientists
 7 Raleigh Drive
 Downingtown, PA
 19335-1107
 Tel (610) 873-0330
 Fax (610) 873-0333
 Email SEA@SEAOL.COM

UPPER SAUCON TOWNSHIP		
NAME: LATERAL - LOW PRESSURE SEWER		
DATE: 06/01/2014	REVISED: 5/1/2017	REVISED:
DRAWN: GTC	REVISED: 06/5/2017	REVISED:
SCALE: N.T.S.	CAD File Name: DX4	

DX-4

No. _____



NOTE:
 PROVIDE ADAPTOR WHEN NECESSARY



SCHREITER ENGINEERING ASSOCIATES
 Engineers Planners Scientists

7 Raleigh Drive
 Downington, PA.
 15335-1107

Tel (910) 825-0250
 Fax (910) 825-0250
 Email: info@sea.com

UPPER SAUCON TOWNSHIP
 SANITARY SEWER LATERAL CONNECTION AT NEW SEWER MAIN

NAME:

DATE: 06/01/2014

REVISED:

REVISED:

DRAWN: ACD

REVISED:

REVISED:

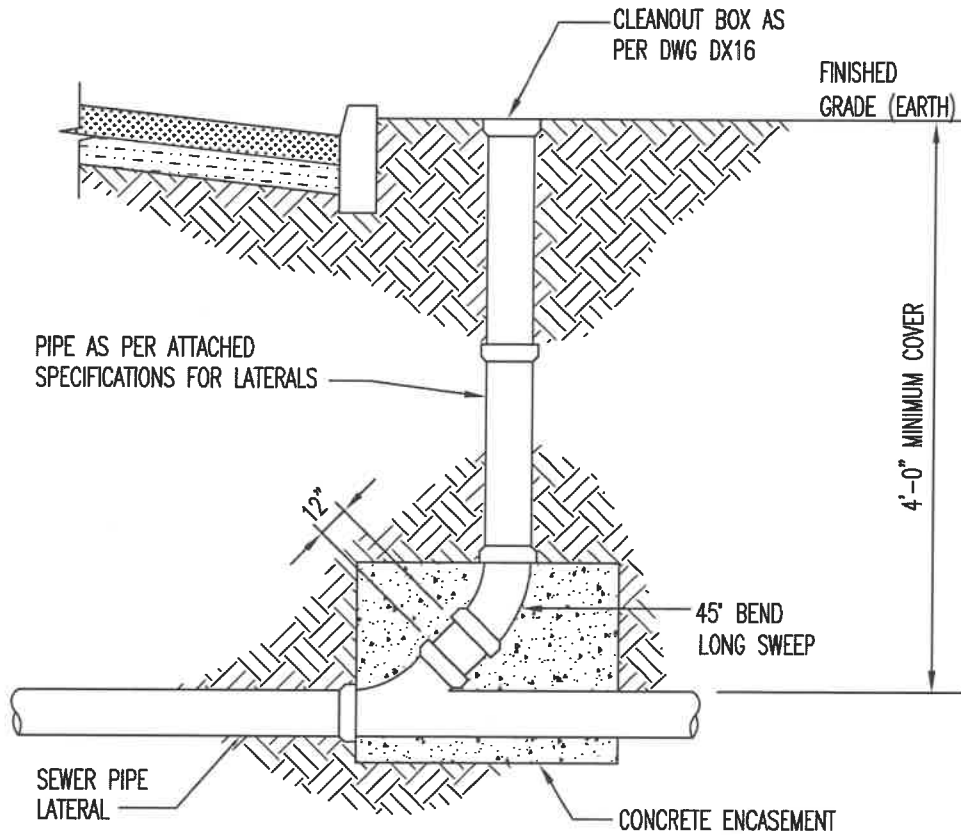
SCALE: N.T.S.

CAD File Name: DX5

DX5

No.

JUN 14, 2014 12:16:10 a.m. | Upper.dwg
 Drawing: D013-033.dwg



NOTES:

1. CLEANOUT TO BE INSTALLED ON HOUSE SIDE OF CURBLINE.
2. LATERAL CLEANOUT REQUIRED EVERY 100 FT. OF CHANGE OF DIRECTION GREATER THAN 22 1/2°.



SCHREITER ENGINEERING ASSOCIATES
 Engineers Planners Scientists

7 Raleigh Drive
 Downingtown, PA
 19335-1107

Tel (610) 873-0520
 Fax (610) 873-0520
 Email: KES@SEACOM.COM

**UPPER SAUCON TOWNSHIP
 INTERMEDIATE CLEANOUT**

NAME:

DATE: 06/01/2014

REVISED: 06/05/2017

REVISED:

DRAWN: GTC

REVISED:

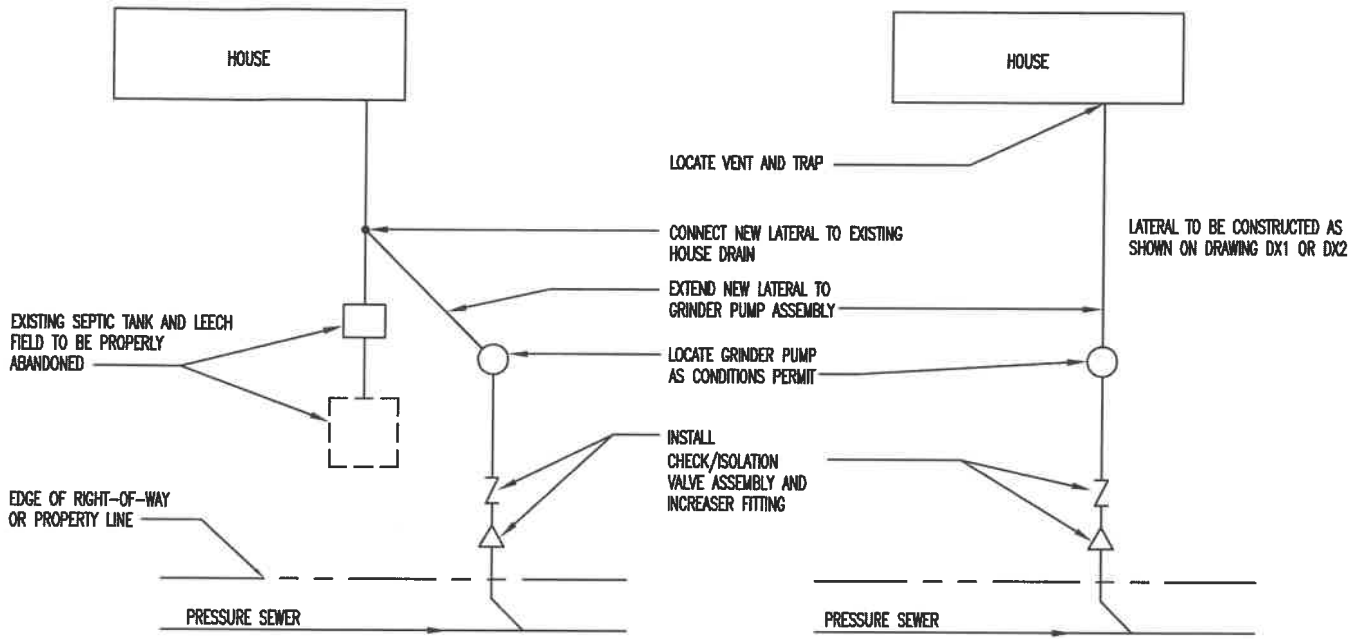
REVISED:

SCALE: N.T.S.

CAD File Name: DX-6

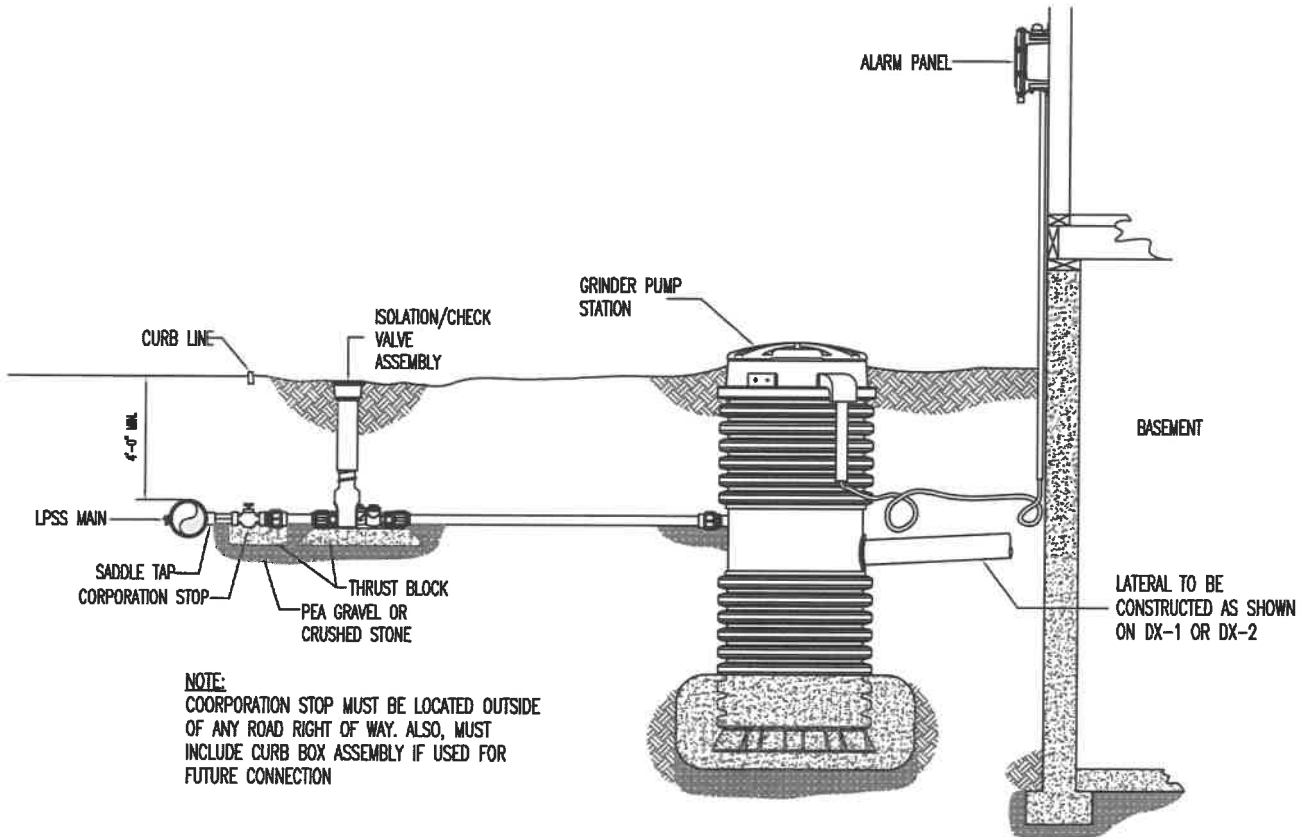
DX6

No.



SEPTIC TANK BYPASS PLAN

NEW INSTALLATION PLAN



NOTE:
CORPORATION STOP MUST BE LOCATED OUTSIDE
OF ANY ROAD RIGHT OF WAY. ALSO, MUST
INCLUDE CURB BOX ASSEMBLY IF USED FOR
FUTURE CONNECTION



SCHREITER ENGINEERING ASSOCIATES
Engineers Planners Scientists

7 Raleigh Drive
Dover, Delaware, PA
19335-1107

Tel (302) 873-8888
Fax (302) 873-8888
Email KES@EAGL.COM

UPPER SAUCON TOWNSHIP

NAME: STANDARD GRINDER PUMP INSTALLATION

DATE: 04/17/17

REVISED:

REVISED:

DRAWN: GTC

REVISED:

REVISED:

SCALE: N.T.S.

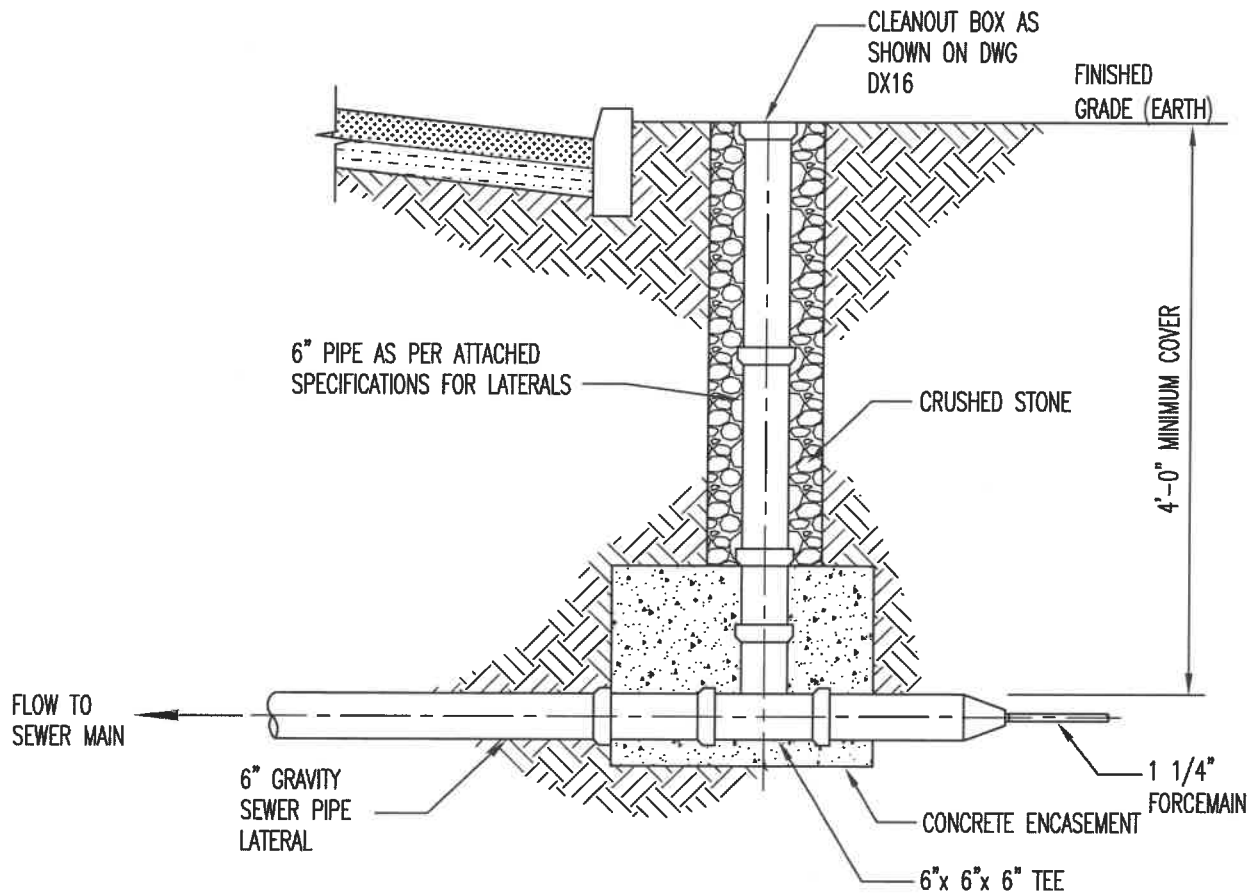
CAD File Name: DX9

DX8

No.

Drawing: DX9

DATE: 12, 2002 12:10:10 UNIT: 1 OPER: 000
 Drawing: D013-033.dwg



NOTES:

1. SOLVENT WELD PIPE FITTING SHALL BE USED AT CONNECTION OF FORCE MAIN TO GRAVITY SEWER PIPE.



SCHREITER ENGINEERING ASSOCIATES
 Engineers Planners Scientists

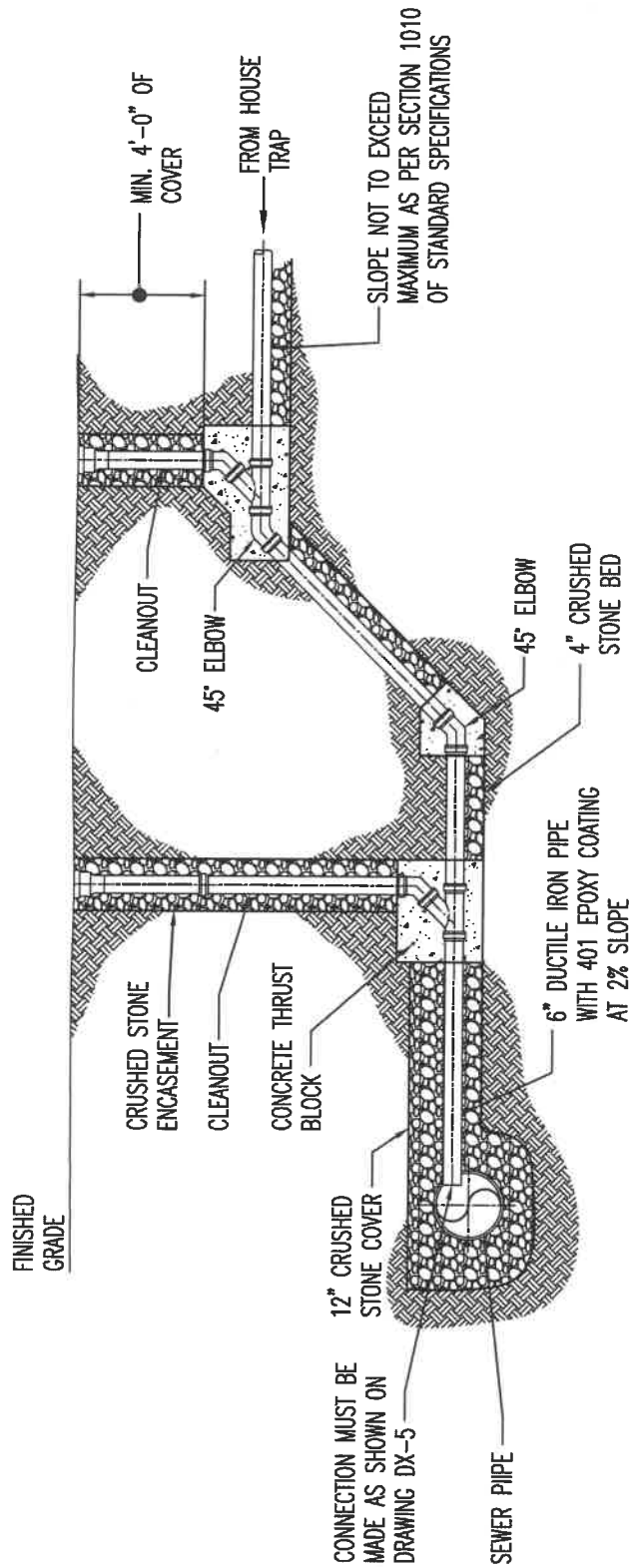
7 Raleigh Drive
 Downingtown, PA
 19335-1107
 Tel (610) 875-0820
 Fax (610) 875-0830
 Email KES@SEA.COM

UPPER SAUCON TOWNSHIP
 LOW PRESSURE SEWER CONNECTION AT
 EXISTING GRAVITY SEWER MAIN

NAME:	UPPER SAUCON TOWNSHIP LOW PRESSURE SEWER CONNECTION AT EXISTING GRAVITY SEWER MAIN		
DATE:	3/1/14	REVISED:	06/05/2017
DRAWN:	GTC	REVISED:	
SCALE:	N.T.S.	CAD File Name:	DX14

DX14

No.



SCHREITER ENGINEERING ASSOCIATES
 Engineers Planners Scientists

7 Raleigh Drive
 Downingtown, PA
 19335-1107

Tel (610) 873-0829
 Fax (610) 873-0820
 Email KCS1@scs.com

UPPER SAUCON TOWNSHIP

NAME: DEEP LATERAL CONNECTION

DATE: 06/01/2014

REVISED:

REVISED:

DRAWN: GTC

REVISED:

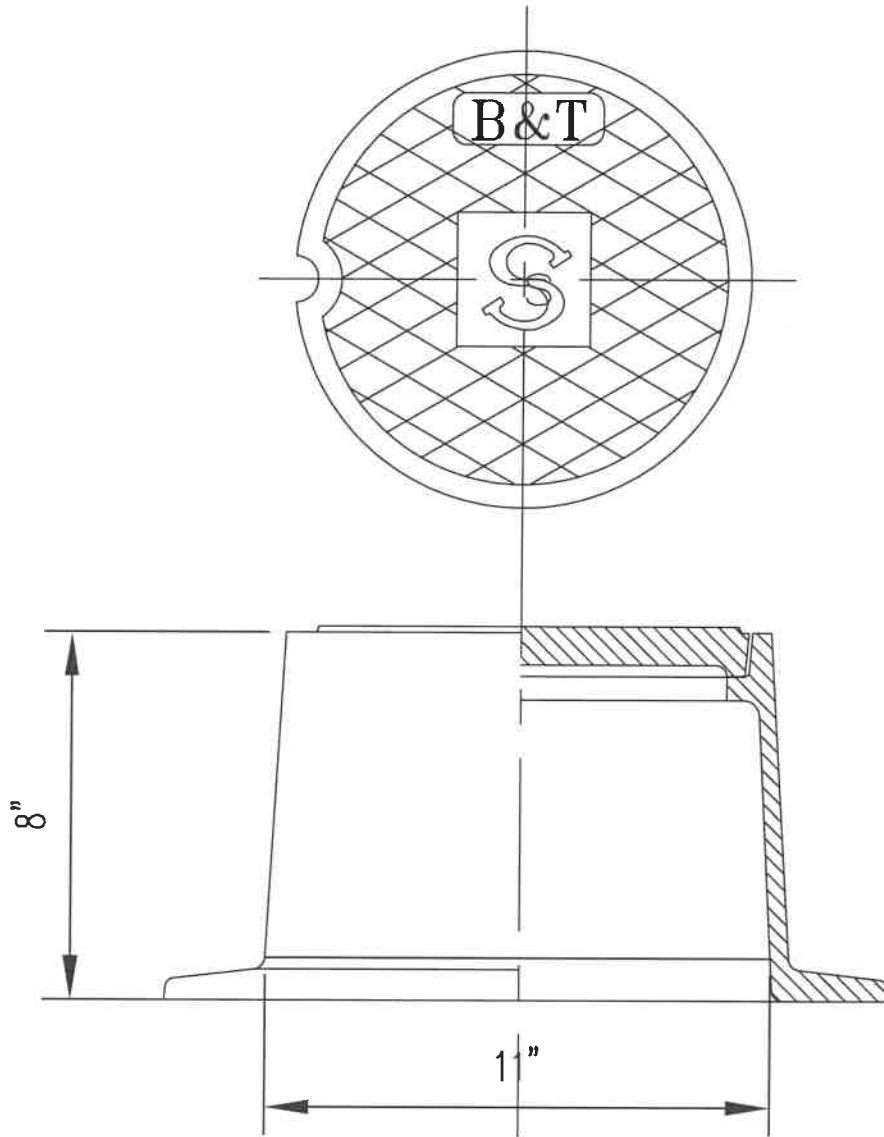
REVISED:

SCALE: N.T.S.

CAD File Name: DX15

DX15

No.



CLEANOUT BOX

NOTES:

1. CLEAN BOX AS PER BINGHAM & TAYLOR OR EQUAL.
2. STYLE SHOWN IS B&T 1975LS - THIS MODEL HAS AN "S" IN THE CENTER FOR SEWER.



SCHREITER ENGINEERING ASSOCIATES
Engineers Planners Scientists

7 Raleigh Drive
Downingtown, PA
19335-1107

Tel (610) 875-0620
Fax (610) 875-0520
Email KES1@MAIL.COM

UPPER SAUCON TOWNSHIP

NAME: CLEAN OUT BOX

DATE: 06/01/2014

REVISED:

REVISED:

DRAWN: GTC

REVISED:

REVISED:

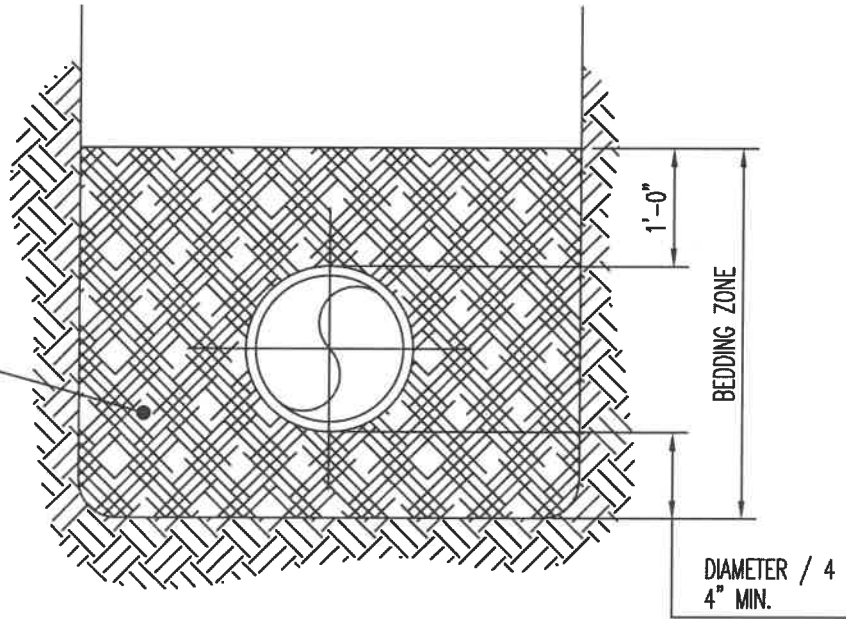
SCALE: 3" = 1'-0"

CAD File Name:

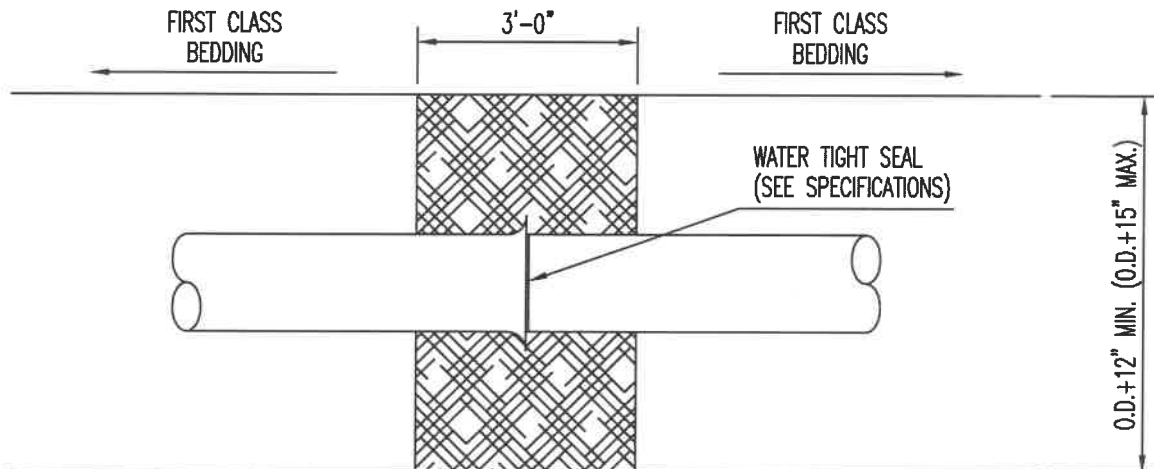
DX16

No.

CLEAN CLAY SOIL
HAND PLACED AND
WELL COMPACTED



SECTION



PLAN

NOTES:

1. CENTER CLAY DIKE OVER PIPE JOINT.
2. CONSTRUCT CLAY DIKE BETWEEN MANHOLES AT MAX. INTERVALS OF 20 L.F.
3. CONSTRUCT CLAY DIKE OF CLEAN CLAY SOIL FROM BOTTOM OF TRENCH TO A DEPTH OF ONE FOOT ABOVE TOP OF THE PIPE.



SCHREITER ENGINEERING ASSOCIATES
Engineers Planners Scientists

7 Raleigh Drive
Downingtown, PA.
19335-1107

Tel (610) 672-0220
Fax (610) 673-0220
Email info@sfa.com

UPPER SAUCON TOWNSHIP

NAME: CLAY DIKE

DATE: 06/01/2014

REVISED:

REVISED:

DRAWN: ACD

REVISED:

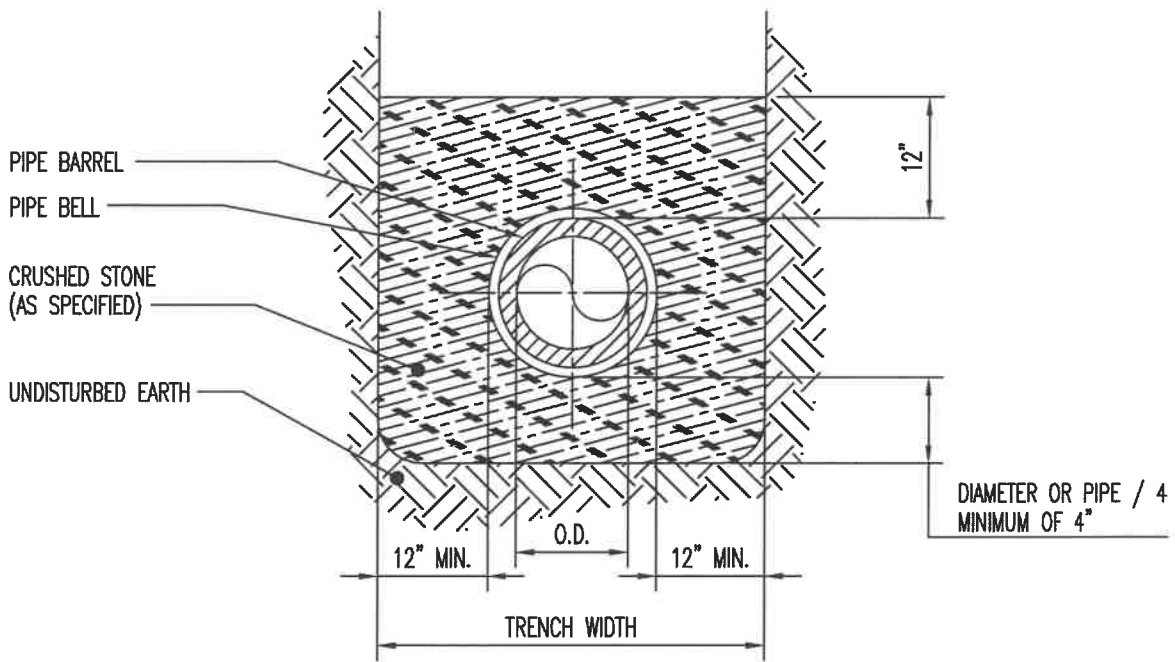
REVISED:

SCALE: N.T.S.

CAD File Name: D3

D5

No.



SCHREITER ENGINEERING ASSOCIATES
 Engineers Planners Scientists

7 Raleigh Drive
 Exton, PA
 19341-1107

Tel: (610) 873-0880
 Fax: (610) 873-0880
 Email: info@sea.com

UPPER SAUCON TOWNSHIP
 CRUSHED STONE ENCASEMENT

NAME: ALL PIPE

DATE: 06/01/2014

REVISED:

REVISED:

DRAWN: ACD

REVISED:

REVISED:

SCALE: N.T.S.

CAD File Name: D2

D2

No.